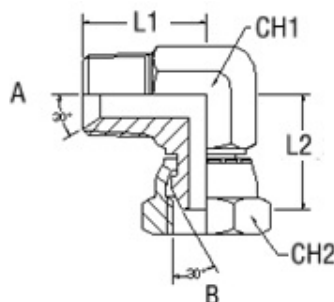


## 90 DEGREE ADAPTORS

### A-C-90

MALE BSPT X BSPP FEMALE 90°

BSPT MALE X BSPP FEMALE SWIVEL NUT 90° FORGING



Part Number	BPST Male Thread (A)	BSPP Female Thread (B)	L1 - mm	L2 - mm	Hex A/F (CH1)	Hex A/F (CH2)
A-C-90-0202	1/8-28	1/8-28	21	22	11	14
A-C-90-0404	1/4-19	1/4-19	25.5	26	14	19
A-C-90-0406	1/4-19	3/8-19	29	30	19	19
A-C-90-0604	3/8-19	1/4-19	29	30	19	19
A-C-90-0606	3/8-19	3/8-19	28.5	30	16	22
A-C-90-0608	3/8-19	1/2-14	31	34	19	27
A-C-90-0806	1/2-14	3/8-19	36	32	22	22
A-C-90-0808	1/2-14	1/2-14	36	36.5	22	27
A-C-90-1212	3/4-14	3/4-14	43.5	44.3	27	32
A-C-90-1616	1-11	1-11	50	49.3	33	41
A-C-90-2020	1.1/4-11	1.1/4-11	58	56.7	41	50
A-C-90-2424	1.1/2-11	1.1/2-11	62.5	64.2	48	55

† - Please contact Hydraulink for further details and availability.

Pricing current as at 14 Feb 2017 and excludes GST. Hydraulink reserve the right to change pricing and technical specifications without notice.