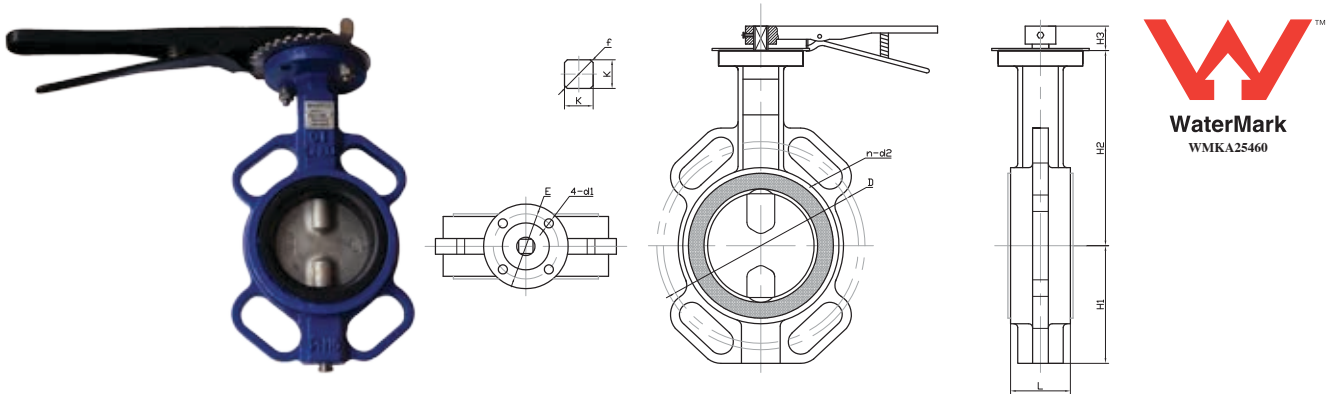


Wafer Butterfly Valve

Wafer Butterfly Valve with Stainless Steel Disc														
AAP CODE			IMPERIAL SIZE	H1	H2	H3	D	L	K	F	E	N-D2	4-D1	APPROX. KG/PC
NBR	EPDM	VITON												
VW50	VWE50	VWV50	2	70	140	31.8	125	42.04	11	14.1	70	4-19	10	3.09
VW65	VWE65	VWV65	2 1/2	79	155	31.8	145	44.68	11	14.1	70	4-19	10	3.8
VW80	VWE80	VWV80	3	83	160	31.8	160	45.21	11	14.4	70	8-19	10	4.29
VW94	VWE94	VWV94	4	107	180	31.8	180	52	14	18.1	70	8-19	10	5.08
VW95	VWE95		5	127	193	31.8	210	54.36	17	22.1	70	8-19	10	7.1
VW96	VWE96	VWV96	6	139	200	31.8	240	55.7	17	22.1	70	8-23	10	8.1
VW98	VWE98	VWV98	8	170	240	35.5	295	60.1	17	22.1	102	12-23	12	14
VWX25	VWEX25		10	200	272	35.5	355	65.63	22	28.2	102	12-28	12	21
VWX30	VWEX30		12	242	317	35.5	410	76.5	22	28.2	102	12-28	12	34



Wafer Butterfly Valve with Gear-Op

Wafer Butterfly Valve with Nickel Plate Ductile Iron Disc and G/O																	
AAP CODE		IMPERIAL SIZE	H1	H2	H3	D	L	E	R	S	T	Z	ØD	Q	4-D1	N-D2	APPROX. KG/PC
NBR	EPDM																
VWX35	VWEX35	14	368	267	45	470	78	102	8	11	8	31.6	28		12	12-28.4	45
VWX40		16	400	298.6	51.2	521	102	140	10	8	5	33.15		45	18	16-28.4	78
VWX45		18	422	318	51.2	584	114	140	10	8	5	38		45	18	16-31.8	93
VWX50		20	480	355	64.2	641	127	140	10	8	5	41.15		56	18	20-31.8	130
VWX60		24	562	444	70.2	756	154	165	16	10	6	50.65		58	22	20-35.1	260

