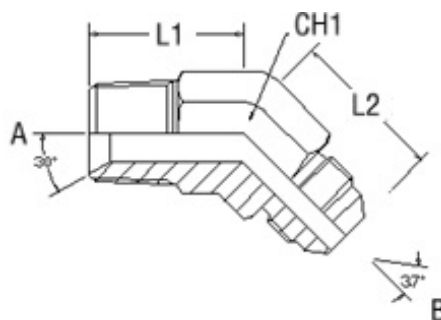


45 DEGREE ADAPTORS

A-G-45

MALE BSPT X MALE JIC 45°

BSPT MALE X JIC MALE WITH 37° CONE 45° FORGING



Part Number	BSPT Male Thread (A)	JIC Male Thread (B)	L1 - mm	L2 - mm	Hex A/F (CH1)
A-G-45-0207	1/8-28	7/16-20	17	21.5	11
A-G-45-0208	1/8-28	1/2-20	17.5	21.5	14
A-G-45-0209	1/8-28	9/16-18	18	22.8	14
A-G-45-0407	1/4-19	7/16-20	21	22.3	14
A-G-45-0408	1/4-19	1/2-20	21	22.3	14
A-G-45-0409	1/4-19	9/16-18	21	22.8	14
A-G-45-0412	1/4-19	3/4-16	22	26.8	19
A-G-45-0609	3/8-19	9/16-18	23	23	16
A-G-45-0612	3/8-19	3/4-16	24	26.8	19
A-G-45-0614	3/8-19	7/8-14	25	31	22
A-G-45-0809	1/2-14	9/16-18	29.5	25	22
A-G-45-0812	1/2-14	3/4-16	29.5	28	22
A-G-45-0814	1/2-14	7/8-14	29.5	31	22
A-G-45-0817	1/2-14	1.1/16-12	30	35.5	27
A-G-45-1212	3/4-14	3/4-16	30.5	29	27
A-G-45-1214	3/4-14	7/8-14	31.5	33	27
A-G-45-1217	3/4-14	1.1/16-12	30.5	35.5	27
A-G-45-1221	3/4-14	1.5/16-12	32.5	38.5	33
A-G-45-1621	1-11	1.5/16-12	38	38.5	33
A-G-45-2026	1.1/4-11	1.5/8-12	43	43	41
A-G-45-3240	2-11	2.1/2-12	50	58	63