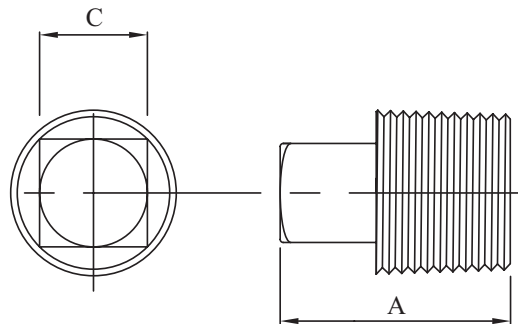


PEAL® Black & Galvanised Mild Steel Square Head Plug

Black & Galvanised Mild Steel Square Head Plug					
AAP CODE		IMPERIAL SIZE	A	C	APPROX (KG/PC)
BLACK	GALVANISED				
SPSQ06	SPSQ06G	1/8	15	6	0.01
SPSQ08	SPSQ08G	1/4	17	8	0.01
SPSQ10	SPSQ10G	3/8	22	11	0.02
SPSQ15	SPSQ15G	1/2	23	12	0.04
SPSQ20	SPSQ20G	3/4	27	19	0.08
SPSQ25	SPSQ25G	1	33	19	0.15
SPSQ32	SPSQ32G	1 1/4	41	22	0.33
SPSQ40	SPSQ40G	1 1/2	47	27	0.44
SPSQ50	SPSQ50G	2	47	32	0.70



PEAL® Black & Galvanised Mild Steel Hexagon Plug

Black & Galvanised Mild Steel Hexagon Plug					
AAP CODE		IMPERIAL SIZE	ACROSS FLATS	B	APPROX. (KG/PC)
BLACK	GALVANISED		A		
SP06	SP06G	1/8	11.0	16.7	0.01
SP08	SP08G	1/4	16.0	19.8	0.02
SP10	SP10G	3/8	19.0	21.4	0.04
SP15	SP15G	1/2	22.2	27.0	0.07
SP20	SP20G	3/4	27.0	28.6	0.12
SP25	SP25G	1	35.0	30.9	0.20
SP32	SP32G	1 1/4	47.2	36.5	0.41
SP40	SP40G	1 1/2	52.1	38.1	0.55
SP50	SP50G	2	61.3	41.3	0.88
SP65	SP65G	2 1/2	79.4	47.6	1.68
SP80	SP80G	3	92.1	54.0	2.56
SP94	SP94G	4	115.8	61.9	4.93

