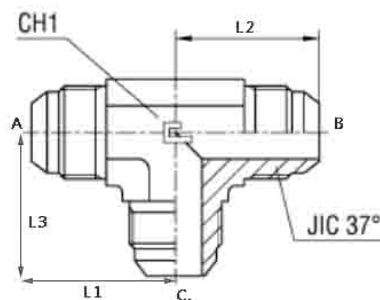


**TEE ADAPTORS**
**G-G-G**

MALE JIC X JIC MALE X JIC MALE

MALE JIC 37° X MALE JIC 37° X MALE JIC 37° TEE



Part Number	JIC Male Thread (A)	JIC Male Thread (B)	JIC Male Thread (C)	L1 - mm	L2 - mm	L3 - mm	Hex A/F (CH1)
G-G-G-070707	7/16-20	7/16-20	7/16-20	22.6	22.6	22.6	11.1
G-G-G-080808	1/2-20	1/2-20	1/2-20	24.1	24.1	24.1	14.3
G-G-G-090909	9/16-18	9/16-18	9/16-18	26.9	26.9	26.9	14.3
G-G-G-121212	3/4-16	3/4-16	3/4-16	31.8	31.8	31.8	19.1
G-G-G-121214	3/4-16	3/4-16	7/8-14	34.3	34.3	36.8	22.2
G-G-G-121217	3/4-16	3/4-16	1.1/16-12	35.8	35.8	41	28.6
G-G-G-141414	7/8-14	7/8-14	7/8-14	36.8	36.8	36.8	22.2
G-G-G-171712	1.1/16-12	1.1/16-12	3/4-16	42.2	42.2	36.1	27
G-G-G-171714	1.1/16-12	1.1/16-12	7/8-14	42	42	39	28.6
G-G-G-171717	1.1/16-12	1.1/16-12	1.1/16-12	42.2	42.2	42.2	27
G-G-G-212121	1.5/16-12	1.5/16-12	1.5/16-12	46	46	46	33.3
G-G-G-262626	1.5/8-12	1.5/8-12	1.5/8-12	52.3	52.3	52.3	40.6
G-G-G-303030	1.7/8-12	1.7/8-12	1.7/8-12	59.2	59.2	59.2	47.6

† - Please contact Hydraulink for further details and availability.

Pricing current as at 14 Feb 2017 and excludes GST. Hydraulink reserve the right to change pricing and technical specifications without notice.