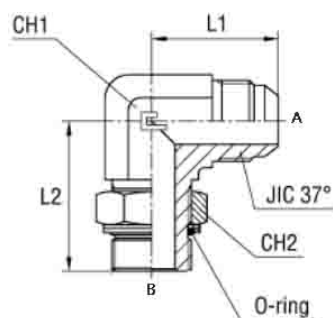


## 90 DEGREE ADAPTORS

### G-BP-90

MALE JIC X BSPP POSITIONAL 90°  
 JIC MALE WITH 37° CONE X BSPP MALE POSITIONAL 90°  
 FORGING



Part Number	JIC Male Thread (A)	BSPP Male Thread (B)	L1 - mm	L2 - mm	Hex A/F (CH1)	Hex A/F (CH2)
G-BP-90-0702	7/16-20	1/8-28	24.5	26.2	11	14
G-BP-90-0704	7/16-20	1/4-19	26.6	31.3	14	19
G-BP-90-0706	7/16-20	3/8-19	27.5	36.8	16	22
G-BP-90-0708	7/16-20	1/2-14	29.4	43	21.7	27
G-BP-90-0902	9/16-18	1/8-28	27	33	14	14
G-BP-90-0904	9/16-18	1/4-19	26.9	31.3	14	19
G-BP-90-0906	9/16-18	3/8-19	28.5	35.8	16	22
G-BP-90-0908	9/16-18	1/2-14	31.5	43	22	27
G-BP-90-1204	3/4-16	1/4-19	32	33.5	19	19
G-BP-90-1206	3/4-16	3/8-19	32	36.8	19	22
G-BP-90-1208	3/4-16	1/2-14	34.8	43.2	22	27
G-BP-90-1212	3/4-16	3/4-14	37.9	49.3	27	32
G-BP-90-1406	7/8-14	3/8-19	37.8	39.2	22	22
G-BP-90-1408	7/8-14	1/2-14	37.8	43.2	22	27
G-BP-90-1412	7/8-14	3/4-14	41	49.3	27	32
G-BP-90-1708	1.1/16-12	1/2-14	44.2	46.5	27	27
G-BP-90-1712	1.1/16-12	3/4-14	44.2	49.3	27	32
G-BP-90-1716	1.1/16-12	1-11	48	53	33	41
G-BP-90-2112	1.5/16-12	3/4-14	49	53	33	32
G-BP-90-2116	1.5/16-12	1-11	49	53	33	41
G-BP-90-2120	1.5/16-12	1.1/4-11	53.8	58	41	50
G-BP-90-2124	1.5/16-12	1.1/2-11	52	62.1	47	54.8
G-BP-90-2616	1.5/8-12	1-11	55.5	58	41	41
G-BP-90-2620	1.5/8-12	1.1/4-11	55.5	58	41	50
G-BP-90-2624	1.5/8-12	1.1/2-11	51.4	61.1	47	54.8
G-BP-90-3020	1.7/8-12	1.1/4-11	62.5	63	48	50
G-BP-90-3024	1.7/8-12	1.1/2-11	62.5	63	48	55

† - Please contact Hydraulink for further details and availability.

Pricing current as at 14 Feb 2017 and excludes GST. Hydraulink reserve the right to change pricing and technical specifications without notice.