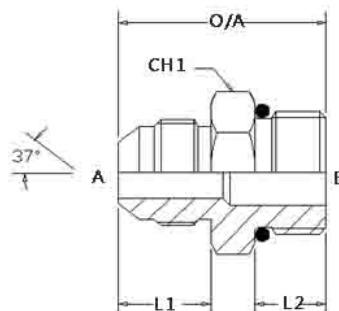


STRAIGHT ADAPTORS
G-N
**MALE JIC X UNO STRAIGHT
 JIC MALE WITH 37° CONE X UNF MALE WITH O-RING**


Part Number	JIC Male Thread (A)	UNO Male Thread (B)	L1 - mm	L2 - mm	overall length	Hex A/F (CH1)
G-N-0707	7/16-20	7/16-20	14	9.1	31.2	14.3
G-N-0707-1MM	7/16-20	7/16-20	14	9.1	31.2	14.3
G-N-0709	7/16-20	9/16-18	14	9.9	32.8	17.5
G-N-0712	7/16-20	3/4-16	14	11.1	34.8	22.2
G-N-0714	7/16-20	7/8-14	14	12.7	37.8	25.4
G-N-0717	7/16-20	1.1/16-12	14	15.1	42.2	31.8
G-N-0807	1/2-20	7/16-20	14	9.1	33.5	14.3
G-N-0808	1/2-20	1/2-20	14	9.1	33.5	15.9
G-N-0809	1/2-20	9/16-18	14	9.9	32.8	17.5
G-N-0812	1/2-20	3/4-16	14	11.1	34.8	22.2
G-N-0907	9/16-18	7/16-20	14.2	9.1	32.3	15.9
G-N-0908	9/16-18	1/2-20	14.2	9.1	32.3	17.5
G-N-0909	9/16-18	9/16-18	14.2	9.9	33	17.5
G-N-0912	9/16-18	3/4-16	14.2	11.1	35.1	22.2
G-N-0912-1MM	9/16-18	3/4-16	14.2	11.1	35.1	22.2
G-N-0914	9/16-18	7/8-14	14.2	12.7	38.1	25.4
G-N-0914-1MM	9/16-18	7/8-14	14.2	12.7	38.1	25.4
G-N-0917	9/16-18	1.1/16-12	14.2	15.1	42.2	31.8
G-N-1207	3/4-14	7/16-20	16.7	9.1	37.8	20.6
G-N-1209	3/4-14	9/16-18	16.7	9.9	36.6	20.6
G-N-1212	3/4-14	3/4-16	16.7	11.1	37.6	22.2
G-N-1214	3/4-14	7/8-14	16.7	12.7	40.6	25.4
G-N-1217	3/4-14	1.1/16-12	16.7	15.1	44.7	31.8
G-N-1221	3/4-14	1.5/16-12	16.7	15.1	45.5	38.1
G-N-1409	7/8-14	9/16-18	19.3	9.9	43.4	25.4
G-N-1412	7/8-14	3/4-16	19.3	11.1	41.7	23.8
G-N-1414	7/8-14	7/8-14	19.3	12.7	43.2	25.4
G-N-1417	7/8-14	1.1/16-12	19.3	15.1	47.2	31.8
G-N-1421	7/8-14	1.5/16-12	19.3	15.1	48	38.1
G-N-1712	1.1/16-12	3/4-16	21.9	11.1	49.3	28.6
G-N-1714	1.1/16-12	7/8-14	21.9	12.7	47.8	28.6
G-N-1717	1.1/16-12	1.1/16-12	21.9	15.1	50	31.8
G-N-1719	1.1/16-12	1.3/16-12	21.9	15.1	49.8	34.9
G-N-1721	1.1/16-12	1.5/16-12	21.9	15.1	50.5	38.1
G-N-1726	1.1/16-12	1.5/8-12	21.9	15.1	52.8	47.6

† - Please contact Hydraulink for further details and availability.

Pricing current as at 14 Feb 2017 and excludes GST. Hydraulink reserve the right to change pricing and technical specifications without notice.