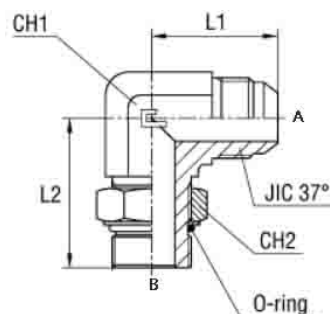


## 90 DEGREE ADAPTORS

### G-NP-90

MALE JIC X UNO POSITIONAL 90°  
 JIC MALE X UNF MALE POSITIONAL W. O RING 90°  
 FORGING



Part Number	JIC Male Thread (A)	UNO Male Thread (B)	L1 - mm	L2 - mm	Hex A/F (CH1)	Hex A/F (CH2)
G-NP-90-0707	7/16-20	7/16-20	22.6	26.2	11.1	14.3
G-NP-90-0708	7/16-20	1/2-20	24.1	28.7	14.3	15.9
G-NP-90-0709	7/16-20	9/16-18	26.7	31.8	14.3	17.5
G-NP-90-0808	1/2-20	1/2-20	24.1	28.7	14.3	15.9
G-NP-90-0809	1/2-20	9/16-18	26.7	31.8	15.9	17.5
G-NP-90-0907	9/16-18	7/16-20	26.9	30.2	14.3	14.3
G-NP-90-0908	9/16-18	1/2-20	26.9	30.2	14.3	15.9
G-NP-90-0909	9/16-18	9/16-18	26.9	31.8	14.3	17.5
G-NP-90-0912	9/16-18	3/4-16	29	36.8	19.1	22.2
G-NP-90-0914	9/16-18	7/8-14	31.2	43.2	22.2	25.4
G-NP-90-0917	9/16-18	1.1/16-12	33.3	49.3	27	31.8
G-NP-90-1209	3/4-16	9/16-18	31.8	33.5	19.1	17.5
G-NP-90-1212	3/4-16	3/4-16	31.8	36.8	19.1	22.2
G-NP-90-1214	3/4-16	7/8-14	34	43.2	22.2	25.4
G-NP-90-1217	3/4-16	1.1/16-12	36.1	49.3	27	31.8
G-NP-90-1412	7/8-14	3/4-16	36.8	40.6	22.2	22.2
G-NP-90-1414	7/8-14	7/8-14	36.8	43.2	22.2	25.4
G-NP-90-1417	7/8-14	1.1/16-12	39.1	49.3	27	31.8
G-NP-90-1712	1.1/16-12	3/4-16	42.2	41.1	27	22.2
G-NP-90-1714	1.1/16-12	7/8-14	42.2	45.2	27	25.4
G-NP-90-1717	1.1/16-12	1.1/16-12	42.2	49.3	27	31.8
G-NP-90-1721	1.1/16-12	1.5/16-12	44.7	52.1	33.3	38.1
G-NP-90-2117	1.5/16-12	1.1/16-12	46	52.1	33.3	31.8
G-NP-90-2121	1.5/16-12	1.5/16-12	46	52.1	33.3	38.1
G-NP-90-2126	1.5/16-12	1.5/8-12	51.1	57.2	41.3	47.6
G-NP-90-2621	1.5/8-12	1.5/16-12	52.3	57.2	41.3	38.1
G-NP-90-2626	1.5/8-12	1.5/8-12	52.3	57.2	41.3	47.6
G-NP-90-3026	1.7/8-12	1.5/8-12	59.2	60.7	47.6	47.6
G-NP-90-3030	1.7/8-12	1.7/8-12	59.2	60.7	47.6	54
G-NP-90-4040	2.1/2-12	2.1/2-12	77.7	73.4	63.5	69.9

† - Please contact Hydraulink for further details and availability.

Pricing current as at 14 Feb 2017 and excludes GST. Hydraulink reserve the right to change pricing and technical specifications without notice.