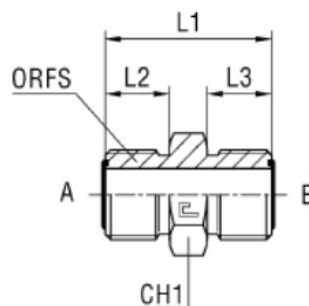


STRAIGHT ADAPTORS
R-R

 MALE ORFS STRAIGHT ADAPTOR
 ORFS MALE X MALE WITH O-RINGS


Part Number	ORFS Male Thread (A)	ORFS Male Thread (B)	Overall Length mm (L1)	L2 - mm	L3 - mm	Hex A/F (CH1)
R-R-0909	9/16-18	9/16-18	27.4	10	10	15.9
R-R-0911	9/16-18	11/16-16	29.7	10	11.2	19.1
R-R-1111	11/16-16	11/16-16	31	11.2	11.2	19.1
R-R-1113	11/16-16	13/16-16	33.8	11.2	12.8	22.2
R-R-1313	13/16-16	13/16-16	35.3	12.8	12.8	22.2
R-R-1316	13/16-16	1-14	39.9	12.8	15.5	27
R-R-1616	1-14	1-14	42.7	15.5	15.5	27
R-R-1619	1-14	1.3/16-12	45.7	15.5	17	31.8
R-R-1919	1.3/16-12	1.3/16-12	47.2	17	17	31.8
R-R-1923	1.3/16-12	1.7/16-12	48.8	17	17.5	38.1
R-R-2323	1.7/16-12	1.7/16-12	49.3	17.5	17.5	38.1
R-R-2727	1.11/16-12	1.11/16-12	51.3	17.5	17.5	44.5
R-R-3232	2-12	2-12	53.1	17.5	17.5	54