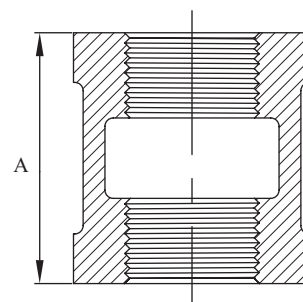


### Galvanised Malleable Socket

Galvanised Malleable Socket			
AAP CODE	IMPERIAL SIZE	A	APPROX KG/PC
LS06	1/8	24.4	0.03
LS08	1/4	26.9	0.04
LS10	3/8	29.5	0.1
LS15	1/2	34.0	0.1
LS20	3/4	38.6	0.1
LS25	1	42.4	0.2
LS32	1-1/4	49.0	0.3
LS40	1-1/2	54.6	0.4
LS50	2	64.6	0.6
LS65	2-1/2	73.2	1.1
LS80	3	80.8	1.6
LS94	4	93.7	2.6
LS96	6	105.0	4.5



### Galvanised Malleable Steel to Brass Female-Female Union

Galvanised Malleable Steel to Brass Female-Female Union			
AAP CODE	IMPERIAL SIZE	A	APPROX KG/PC
LU15BS	1/2	41.5	0.24
LU20BS	3/4	45.0	0.35
LU25BS	1	49.0	0.53
LU32BS	1-1/4	58.0	0.75
LU40BS	1-1/2	63.0	0.95
LU50BS	2	77.0	1.47
LU65BS	2-1/2	79.0	2.41
LU80BS	3	82.0	3.15
LU94BS	4	99.5	5.45

