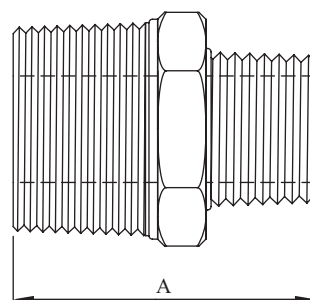


Galvanised Malleable Hexagon Reducing Nipple

| Galvanised Malleable Hexagon Reducing Nipple |               |    |              |
|--|---------------|----|--------------|
| AAP CODE                                     | IMPERIAL SIZE | A  | APPROX KG/PC |
| LN0806                                       | 1/4 X 1/8     | 32 | 0.02         |
| LN1006                                       | 3/8 X 1/8     | 38 | 0.03         |
| LN1008                                       | 3/8 X 1/4     | 38 | 0.03         |
| LN1508                                       | 1/2 X 1/4     | 44 | 0.05         |
| LN1510                                       | 1/2 X 3/8     | 44 | 0.05         |
| LN2010                                       | 3/4 X 3/8     | 47 | 0.1          |
| LN2015                                       | 3/4 X 1/2     | 47 | 0.1          |
| LN2515                                       | 1 X 1/2       | 53 | 0.12         |
| LN2520                                       | 1 X 3/4       | 53 | 0.12         |
| LN3215                                       | 1-1/4 X 1/2   | 57 | 0.22         |
| LN3220                                       | 1-1/4 X 3/4   | 57 | 0.22         |
| LN3225                                       | 1-1/4 X 1     | 57 | 0.22         |
| LN4015                                       | 1-1/2 X 1/2   | 59 | 0.3          |
| LN4020                                       | 1-1/2 X 3/4   | 59 | 0.3          |
| LN4025                                       | 1-1/2 X 1     | 59 | 0.3          |
| LN4032                                       | 1-1/2 X 1-1/4 | 59 | 0.3          |
| LN5015                                       | 2 X 1/2       | 68 | 0.4          |
| LN5020                                       | 2 X 3/4       | 68 | 0.4          |
| LN5025                                       | 2 X 1         | 68 | 0.42         |
| LN5032                                       | 2 X 1-1/4     | 68 | 0.42         |
| LN5040                                       | 2 X 1-1/2     | 68 | 0.42         |
| LN6540                                       | 2-1/2 X 1-1/2 | 75 | 0.69         |
| LN6550                                       | 2-1/2 X 2     | 75 | 0.69         |
| LN8050                                       | 3 X 2         | 83 | 1            |
| LN8065                                       | 3 X 2-1/2     | 83 | 1            |
| LN9450                                       | 4 X 2         | 92 | 1.42         |
| LN9465                                       | 4 X 2-1/2     | 92 | 1.42         |
| LN9480                                       | 4 X 3         | 92 | 1.42         |



Galvanised Malleable Female-Female Elbow 45 Degree

| Galvanised Malleable Female-Female Elbow 45 Degree |               |      |              |
|--|---------------|------|--------------|
| AAP CODE   | IMPERIAL SIZE | A    | APPROX KG/PC |
| LEF15  | 1/2           | 22.4 | 0.10         |
| LEF20  | 3/4           | 24.9 | 0.15         |
| LEF25  | 1             | 28.5 | 0.23         |
| LEF32  | 1-1/4         | 32.8 | 0.33         |
| LEF40  | 1-1/2         | 36.3 | 0.46         |
| LEF50  | 2             | 42.7 | 0.70         |
| LEF65  | 2-1/2         | 49.5 | 1.26         |
| LEF80  | 3             | 55.1 | 2.04         |
| LEF94  | 4             | 66.3 | 3.38         |

