

Glen Butterfly Valves, for the reticulation of water and air using shouldered or grooved piping systems, are ideal for applications where space is limited and pipe supports are a problem.

## Features and advantages

- \* Designed to meet international standards
- \* Extremely rugged
- \* FBE coated body or NBR rubber lined body
- \* Simple to install and operate
- \* No lubrication necessary
- \* Low maintenance costs
- \* Throttling facility by using the optional multi-stop handle version
- \* Size range to suite piping with optimal bore of 50mm to 200mm
- \* Available with SG Iron, 316 stainless steel or Nitrile rubber coated disc
- \* Easy adaptation to flanged pipe lines
- \* Corrosion and abrasion resistant

## Applications

- \* Mining
- \* Civil and industrial applications
- \* Construction
- \* Fire sprinkler systems
- \* Municipal water supplies
- \* Industrial air reticulation

## Material Specifications

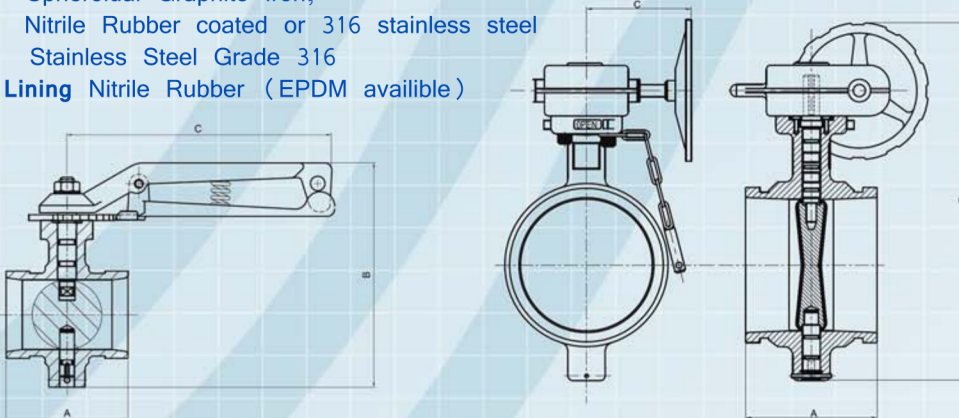
- Body** Spheroidal Graphite Iron, FBE Coated or NBR lined
- Disc** Spheroidal Graphite Iron, Nitrile Rubber coated or 316 stainless steel
- Spindle** Stainless Steel Grade 316
- Rubber Lining** Nitrile Rubber (EPDM available)



Lever Latch Handle



Gear Operated



CODE	SIZE	DESCRIPTION	A (mm)	B (mm)	C (mm)	Pressure (kPa)	Temperature (°C)
<b>SG DISC – RUBBER LINED BODY – LEVER LATCH HANDLE</b>							
VBFSCL100	110/114	SG IRON BODY AND DISC LEVER LATCH HANDLE	115	305	230	2500	-20 to 82
VBFSCL150	150/165	SG IRON BODY AND DISC LEVER LATCH HANDLE	150	370	310	2500	-20 to 82
VBFSCL200	200/219	SG IRON BODY AND DISC LEVER LATCH HANDLE	135	475	500	2500	-20 to 82
<b>SG DISC – RUBBER LINED BODY – GEAR OPERATED</b>							
VBFSCG100	100/114	SG IRON BODY AND DISC GEAR OPERATED	115	360	160	2500	-20 to 82
VBFSCG150	150/165	SG IRON BODY AND DISC GEAR OPERATED	150	420	160	2500	-20 to 82
VBFSCG200	200/219	SG IRON BODY AND DISC GEAR OPERATED	135	542	250	2500	-20 to 82
<b>SG DISC RUBBER COATED – EPOXY COATED BODY – LEVER LATCH HANDLE</b>							
VBFERL100	100	SG IRON BODY EPOXY, AND RUBBER COATED DISC	115	305	230	2500	-20 to 82
VBFERL150	150	SG IRON BODY EPOXY, AND RUBBER COATED DISC	150	370	310	2500	-20 to 82
<b>T316 ST/ST DISC – SG IRON RUBBER LINED BODY – LEVER LATCH HANDLE</b>							
VBFSSL050	50/60	SG IRON BODY T316 ST/ST DISC LEVER LATCH HANDLE	84	205	155	2500	-20 to 82
VBFSSL100	110/114	SG IRON BODY T316 ST/ST DISC LEVER LATCH HANDLE	115	305	230	2500	-20 to 82
VBFSSL150	150/165	SG IRON BODY T316 ST/ST DISC LEVER LATCH HANDLE	150	370	310	2500	-20 to 82
VBFSSL200	200/219	SG IRON BODY T316 ST/ST DISC LEVER LATCH HANDLE	135	475	500	2500	-20 to 82
<b>T316 ST/ST DISC – SG IRON RUBBER LINED BODY – GEAR OPERATED</b>							
VBFSSG100	100/114	SG IRON BODY T316 ST/ST DISC GEAR OPERATED	115	360	160	2500	-20 to 82
VBFSSG150	150/165	SG IRON BODY T316 ST/ST DISC GEAR OPERATED	150	420	160	2500	-20 to 82
VBFSSG200	200/219	SG IRON BODY T316 ST/ST DISC GEAR OPERATED	135	542	250	2500	-20 to 82

Klambon Water Pty Ltd  
 Ph: 02 8814 9699  
 Fax: 02 8814 9666  
 Mob: 0414 552 478

Email: [kcrinion@klambon.com.au](mailto:kcrinion@klambon.com.au)