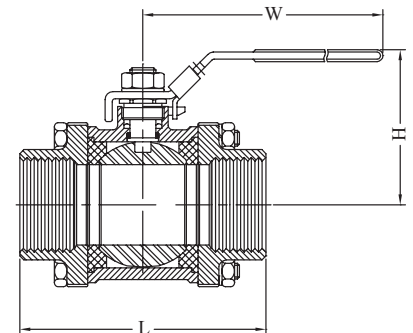


Stainless Steel Ball Valve (3 PCE) - Maxiflo

MATERIAL LIST	
PART	MATERIAL
Body	CF8M
Ball	316 Stainless Steel
Seat	Teflon (PTFE)
Stem	316 Stainless Steel
Lever	316 Stainless Steel with Locking Device

SPECIFICATIONS	
Thread	AS1722.1
Max Working Temperature	180°C
Cold Working Pressure	6895kPa

Applications - For air, water, Hot/Cold corrosive fluids in harsh environments



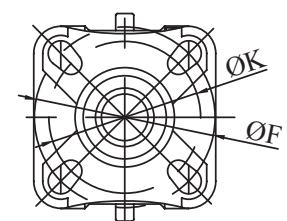
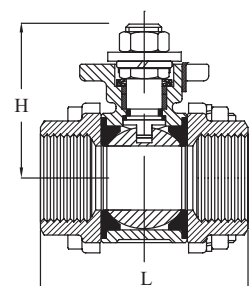
Stainless Steel Ball Valve (3 PCE FULL BORE)						
AAP CODE	IMPERIAL SIZE	L	H	W	TORQUE INCH/LBS	APPROX. KG/PC
SS3BV08	1/4	50	48	100	40	0.29
SS3BV10	3/8	50	48	100	40	0.29
SS3BV15	1/2	63.4	52	100	43	0.39
SS3BV20	3/4	71	61	127	65	0.61
SS3BV25	1	80.6	65	127	101	0.86
SS3BV32	1 1/4	94	79	154	158	1.37
SS3BV40	1 1/2	104	83	154	187	2.04
SS3BV50	2	126.4	97	192	230	3.74
SS3BV65	2 1/2	160	135	244	430	6.44
SS3BV80	3	179.5	144	244	1380	10.20
SS3BV100	4	220	157	280	2400	20.49

Stainless Steel Ball Valve (3 PCE) C/W Actuator Mounting Pad (ISO5211)

MATERIAL LIST	
PART	MATERIAL
Body	CF8M
Ball	316 Stainless Steel
Seat	Teflon (PTFE)
Stem	316 Stainless Steel

SPECIFICATIONS	
Thread	AS1722.1
Max Working Temperature	180°C
Cold Working Pressure	6895kPa

Applications - For air, water, Hot/Cold corrosive fluids in harsh environments



Stainless Steel Ball Valve (3 Piece) C/W Mounting Pad						
AAP CODE	IMPERIAL SIZE	L	H	ØK	ØF	APPROX. KG/PC
SS3BV15MP	1/2	55	58.8	42	42	0.44
SS3BV20MP	3/4	73.6	64.7	42	50	0.83
SS3BV25MP	1	81	67.4	42	50	1.04
SS3BV32MP	1 1/4	91	80	50	70	1.84
SS3BV40MP	1 1/2	103	95.5	50	70	2.48
SS3BV50MP	2	120	93	50	70	3.57
SS3BV65MP	2 1/2	155	140.4	70	102	8.67
SS3BV80MP	3	182	151.5	70	102	12.6
SS3BV100MP	4	218.4	165	70	102	19.65