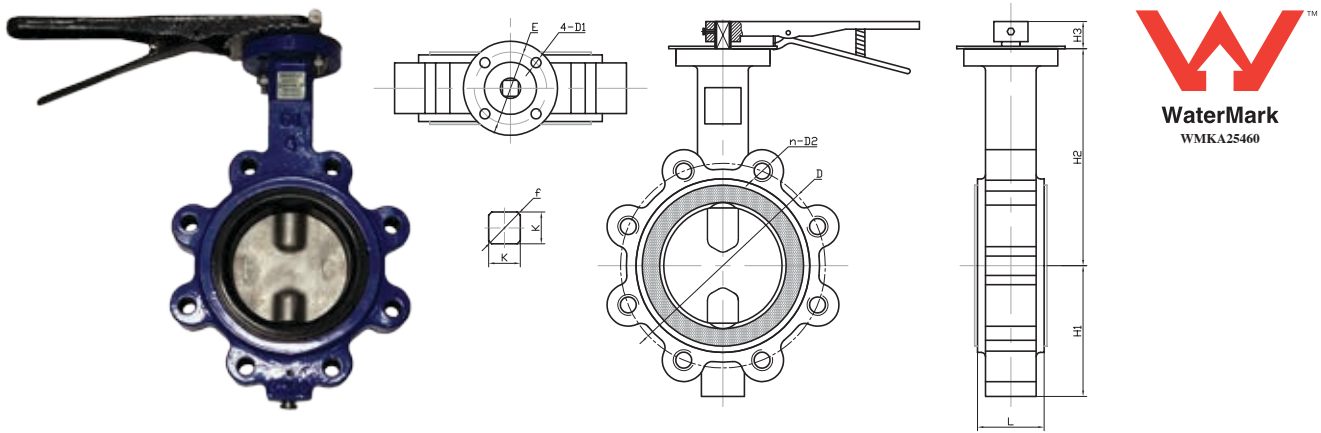


Lugged Butterfly Valve

Lugged Butterfly Valve with Stainless Steel Disc

AAP CODE		SIZE IMPERIAL	H1	H2	H3	D	L	K	E	F	4-D1	N-D2	APPROX KG/PC.
NBR	EPDM												
VWLG50	VWLGE50	2	80	161	31.8	114	42.04	11	70	14.1	10	4-M16	4.73
VWLG65	VWLGE65	2 1/2	89	175	31.8	127	44.68	11	70	14.1	10	4-M16	5.28
VWLG80	VWLGE80	3	95	181	31.8	146	45.21	11	70	14.1	10	4-M16	5.42
VWLG94	VWLGE94	4	114	200	31.8	178	52	14	70	18.1	10	8-M16	8.84
VWLG95	VWLGE95	5	127	213	31.8	210	54.36	17	70	22.1	10	8-M16	11.06
VWLG96	VWLGE96	6	139	226	31.8	235	55.7	17	70	22.1	10	8-M20	13.01
VWLG98	VWLGE98	8	175	260	35.5	292	60.1	17	102	22.1	12	8-M20	20.01
VWLGX25	VWLGEX25	10	203	292	35.5	356	65.63	22	102	28.2	12	12-M20	29
VWLGX30	VWLGEX30	12	242	337	35.5	406	76.5	22	102	28.2	12	12-M24	44



Lugged Butterfly Valve with Gear-Op

Lugged Butterfly Valve with Nickel Plated Ductile Iron Disc and G/O (NBR)

AAP CODE	IMPERIAL SIZE	H1	H2	H3	D	L	E	R	S	T	Z	ØD	Q	4-D1	N-D2	APPROX. KG/PC
VWLGX35	14	368	267	45	470	78	102	8	11	8	31.6	28		12	12-M24	75
VWLGX40	16	400	298.6	51	521	102	140	10	8	5	33.15		45	18	12-M24	108
VWLGX45	18	422	318	51	581	114	140	10	8	5	38		45	18	16-M24	157
VWLGX50	20	480	355	64	641	127	140	10	8	5	41.15		56	18	16-M24	200
VWLGX60	24	562	444	70	756	154	165	16	10	6	50.65		58	22	12-M30	280

