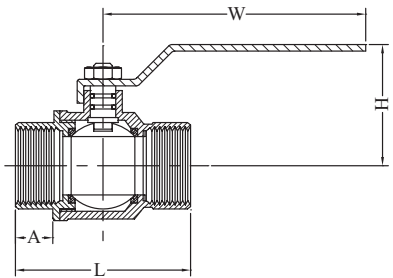


AGA Approved Gas Ball Valve - Maxiflo

LICENCE - Australian Gas Association AGA 6017



MATERIALS	
PART	MATERIAL
Body	Brass (Nickel Plated)
Seat Retainer	Brass (Nickel Plated)
Seat	P.T.F.E.
Ball	Brass (Chromium plated)
Stem	Brass
Gland	Brass
Packing	Viton (Double O-Ring)
Lever	Stainless Steel (Plastic Coated)
Lever Retaining Nut	Brass (Nickel Plated)

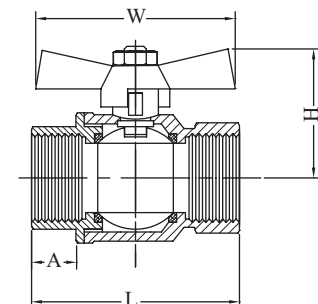
SPECIFICATIONS	
Thread	AS1722.1
Max Working Temperature	60°C
Cold Working Pressure	2500kPa

Application - For low to medium gas applications. Can also be used for certain chemicals and oils



Gas Brass Ball Valve							
AAP CODE		IMPERIAL SIZE	L	H	W	A	APPROX. KG/PC
LEVER	LOCKABLE LEVER						
VGAS08		1/4	49.5	35	85	12	0.16
VGAS10		3/8	49.5	35	85	16	0.14
VGAS15	VGAS15L	1/2	60	39	95	16.5	0.2
VGAS20	VGAS20L	3/4	66.5	43	115	18	0.3
VGAS25	VGAS25L	1	76	59.5	115	19.5	0.43
VGAS32	VGAS32L	1 1/4	92.8	63	125	23	0.74
VGAS40	VGAS40L	1 1/2	100.5	77	180	23	1.12
VGAS50	VGAS50L	2	122	89	180	27	1.72
VGAS65		2 1/2	151	112	257	30	3.48
VGAS80		3	174	120	301	37	5.02
VGAS94		4	212	144	340	40	8.4

Gas Brass Ball Valve with T Handle



Gas Brass Ball Valve with T Handle						
AAP CODE	IMPERIAL SIZE	L	H	W	A	APPROX. KG/PC
VGAS08TH	1/4	49.5	35	48	12	0.16
VGAS10TH	3/8	49.5	35	48	16	0.14
VGAS15TH	1/2	60	35	55	16.5	0.2
VGAS20TH	3/4	66.5	40	55	18	0.3
VGAS25TH	1	76	43	72	19.5	0.43

