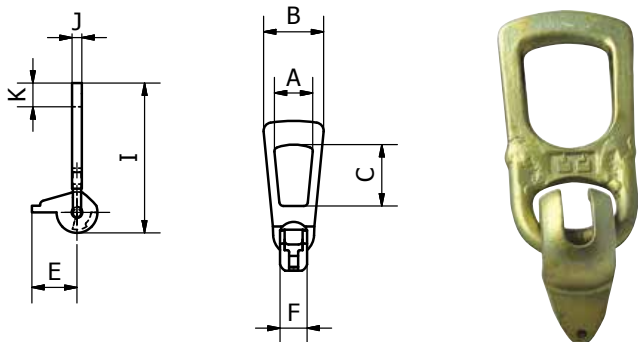


## BEAVER CONCRETE LIFTING CLUTCH

Product Code	WLL Tonne	A mm	B mm	C mm	F mm	J mm	K mm	E mm	I mm	Net Weight (kg)	UOM
260013	1.3T	47	79	68.5	34	14	22	55	162	1	Each
260025	2.5T	54	92	81.49	44	16	28	70	205	1.6	Each
260050	5.0T	69	122	84	58	20	40	85	237	3.4	Each
260100	10T	98	171	114	77	26	52	118	348	9.6	Each
260200	20T	116	196	150	110	35	74	155	441	21	Each
260320	32T	180	272	189	153	40	100	214	584	58	Each



## BEAVER OXYGEN / ACETYLENE GAS BOTTLE LIFTING FRAME

Easy lifting of gas bottles

Product Code	Capacity (kg)	H mm	W mm	L mm	A mm	D mm	Weight (kg)	UOM
263200F	200	1890	400	645	460	50	35	Each

