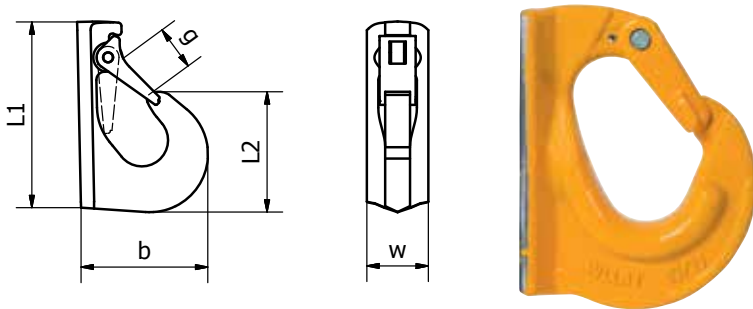


BEAVER GRADE 80 COMPONENT CONNECTORS (CONT'D)

BEAVER GRADE 80 WELD-ON SAFETY EXCAVATOR HOOK

Code	WLL (kg)	b mm	g mm	L1 mm	L2 mm	w mm	Approx Weight (kg)	UOM	Pack Qty	Replacement Latch Kit
886701A	1000	53	18	87	55	20	0.35	Each	30	896701
886703A	3000	106	30.5	129	86	36	1.2	Each	15	896703
886705A	5000	133	34	171	118.5	43.5	2.46	Each	8	896705
886708	8000	136.5	34	177	118.5	51	3.26	Each	6	896708
886710	10000	169.5	51	223	154	53	5.17	Each	4	896710



BEAVER GRADE M COMPONENT CONNECTOR

BEAVER GRADE M GENERAL PURPOSE ALLOY SWIVEL HOOK WITH LATCH

Code	WLL (kg)	a mm	d1 mm	e mm	g mm	w mm	Approx Weight (kg)	UOM	Pack Qty
263920	2000	53	18	87	55	20	1.33	Each	30

