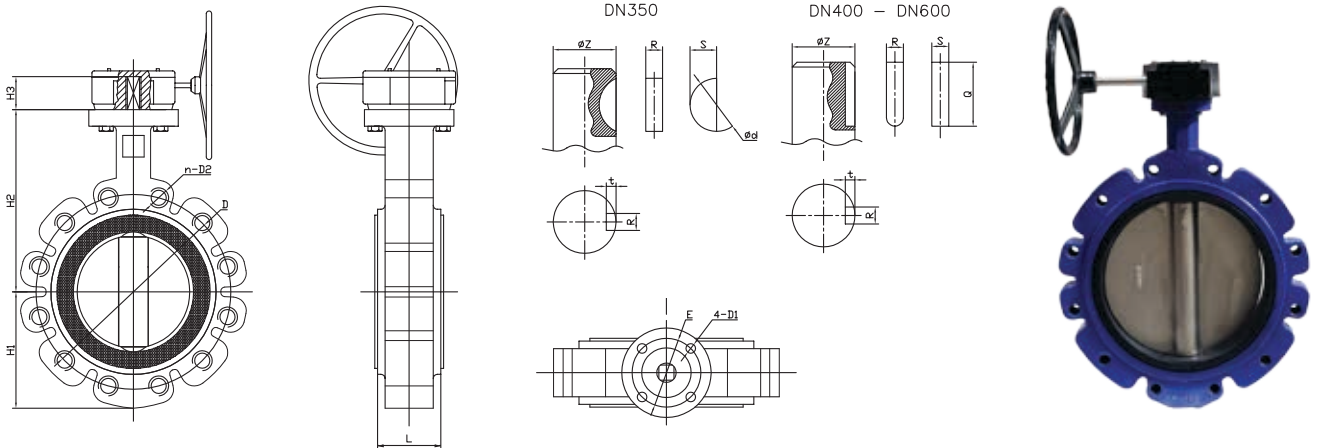


Lugged Butterfly Valve with Gear-Op

Lugged Butterfly Valve with Stainless Steel Disc and G/O (EPDM)																
AAP CODE	IMPERIAL SIZE	H1	H2	H3	D	L	E	R	S	T	Z	ØD	Q	4-D1	N-D2	APPROX. KG/PC
VWLGEX35SS	14	368	267	45	470	78	102	8	11	8	31.6	28		12	12-M24	75
VWLGEX40SS	16	400	298.6	51	521	102	140	10	8	5	33.15		45	18	12-M24	108
VWLGEX45SS	18	422	318	51	581	114	140	10	8	5	38		45	18	16-M24	157
VWLGEX50SS	20	480	355	64	641	127	140	10	8	5	41.15		56	18	16-M24	200
VWLGEX60SS	24	562	444	70	756	154	165	16	10	6	50.65		58	22	12-M30	280



Lugged Butterfly Valve Table D

Lugged Butterfly Valve 'Table D' with Stainless Steel Disc (NBR)													
AAP CODE	IMPERIAL SIZE	H1	H2	H3	D	L	K	E	F	4-D1	N-D2	APPROX KG/PC.	
VWLG94D	4	114	200	31.8	178	52	14	70	18.1	10	4-M16	8.9	
VWLGX25D	10	203	292	35.5	356	65.63	22	102	28.2	12	8-M20	29	

