

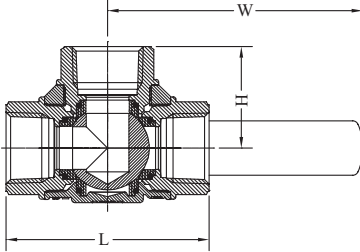
Stainless Steel 3 Way Ball Valve



MATERIAL LIST	
PART	MATERIAL
Body	CF8M
Ball	316 Stainless Steel
Seat	Teflon (PTFE)
Stem	316 Stainless Steel

SPECIFICATIONS	
Thread	AS1722.1
Max Working Temperature	180°C
Cold Working Pressure	6895kPa

Applications - For air, water, Hot/Cold corrosive fluids in harsh environments



Stainless Steel 3 Way Ball Valve (L Port)					
AAP CODE	IMPERIAL SIZE	L	H	W	APPROX. KG/PC
SS3WAY08L	1/4	71.5	53	125	0.67
SS3WAY10L	3/8	71.5	53	125	0.64
SS3WAY15L	1/2	71.5	53	125	0.59
SS3WAY20L	3/4	81	60	125	0.76
SS3WAY25L	1	91	68	153	1.11
SS3WAY32L	1 1/4	102	80	153	1.33
SS3WAY40L	1 1/2	112	95	195	2.02
SS3WAY50L	2	154	120	195	4.75

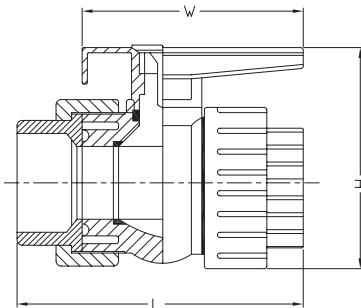
PVC Double Union Ball Valves



Material List	
PART	MATERIAL
Body	UPVC
Seal Seat	PTFE
Ball	UPVC
Handle	ABS
O' Ring	VITON

Specifications	
Thread	AS1722.1
Max Working Temperature	60°C
Cold Working Pressure	150psi

Applications - Water, Weak acids and alkaline solutions, some corrosive liquids.
(Consult Chemical Chart for suitability)



PVC Double Union Ball Valves					
AAP CODE	IMPERIAL SIZE	L	H	W	APPROX. KG/PC
VPVCDU15	1/2	101.8	41.5	75	0.15
VPVCDU20	3/4	118.0	51.5	88	0.22
VPVCDU25	1	141.0	63.4	105	0.38
VPVCDU32	1 1/4	149.6	67.2	109	0.52
VPVCDU40	1 1/2	176.0	81.0	131	0.83
VPVCDU50	2	191.6	91.0	143	1.21