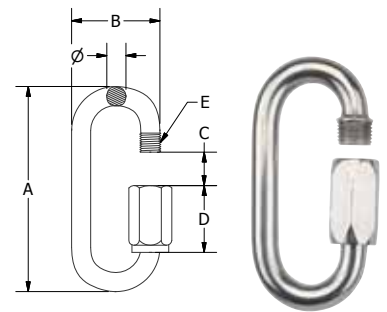


## BEAVER G316 STAINLESS STEEL QUICK LINKS

Code	Grade	Dia mm	A mm	B mm	C mm	D mm	E mm	Weight Kg	UOM	Pack Qty
601604	316	4	43	18.5	7	14	4	0.011	Each	300
601605	316	5	52	22.5	8.5	18	5	0.02	Each	300
601606	316	6	61.5	27	9.5	21	6	0.03	Each	200
601608	316	8	77	35.5	11	25	8	0.07	Each	150
601610	316	10	89	42	13.5	28	10	0.14	Each	100

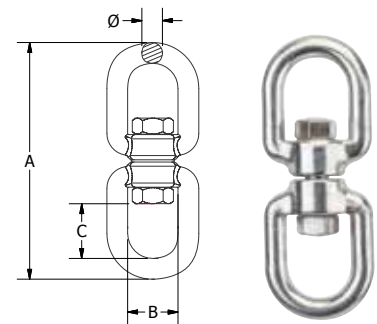
**NOT TO BE USED FOR LIFTING**



## BEAVER G316 STAINLESS STEEL EYE & EYE SWIVELS

Code	Grade	Dia mm	A mm	B mm	C mm	Weight Kg	UOM	Pack Qty
619106	316	6	66	15	15.5	0.05	Each	100
619108	316	8	90	19	21.5	0.12	Each	100
619110	316	10	112	23.5	26.5	0.21	Each	100
619113	316	13	148	33	33	0.51	Each	50

**NOT TO BE USED FOR LIFTING**



## BEAVER G316 STAINLESS STEEL JAW & JAW SWIVELS

Code	Grade	Dia Ø mm	A mm	B mm	C mm	Weight Kg	UOM	Pack Qty
619306	316	6	64.4	12	12	0.07	Each	100
619308	316	8	87	16	15.5	0.14	Each	100
619310	316	10	111	18.5	20.5	0.258	Each	50
619313	316	13	143.5	26	25.5	0.62	Each	25

**NOT TO BE USED FOR LIFTING**

