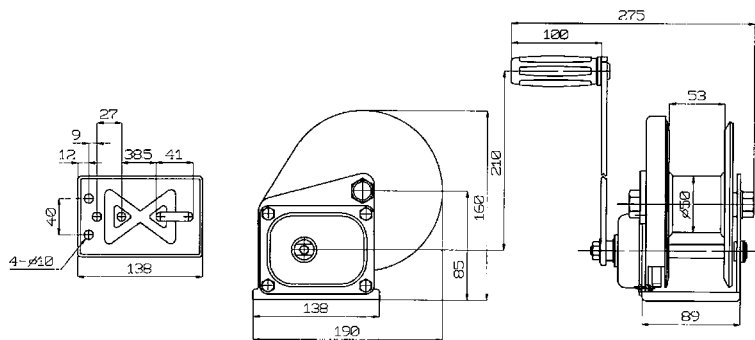


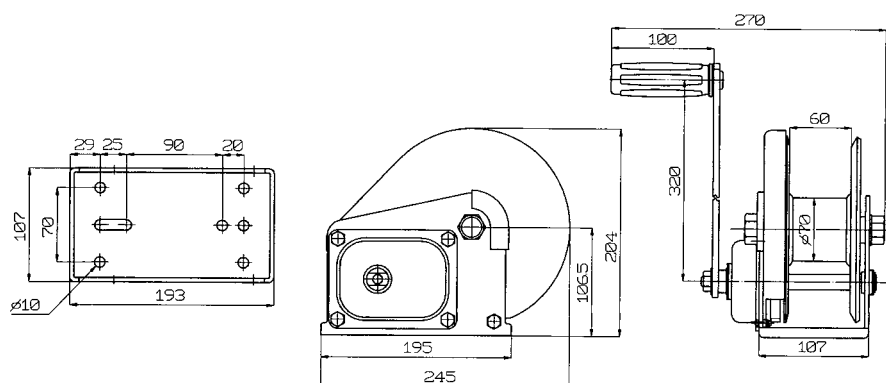
## BEAVER BRAKE HAND WINCHES

Model No. - Bare	BHW1200	BHW1800	BHW2600	Handle Length (mm)	210	320	320
Model No. - Wire Rope	BHW1200R	BHW1800R	BHW2600R	Unit Weight - Bare (kg)	3.8	8	10.3
Rated Capacity - Pulling (kg) (kN)	545 (5.33)	820 (8.04)	1200 (11.76)	Wire Rope Diameter (mm)	Ø5	Ø7	Ø8
Rated Capacity - Hoisting (kg)	270	410	600	Wire Rope Construction	6x19 (FC) RHL	6x19 (FC) RHL	6x10 (FC) RHL
Type of Brake	Single Pawl	Double Pawl	Double Pawl	Grade of Wire Rope	G1770	G1770	G1770
Max. Hand Force Req. (kg)	15	22	19	Wire Rope Finish	HDG	HDG	HDG
Gear Ratio	4:1:1	5:1	10:1	Wire Rope Storage Capacity (mm)	24	26	18
Hub Diameter (mm)	Ø50	Ø70	Ø80	Std Wire Rope Length Supplied (mm)	10	10	10

### BHW1200



### BHW1800



### BHW2600

