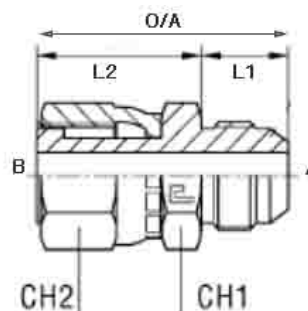


**STRAIGHT ADAPTORS**
**G-T**

MALE JIC X ORFS STRAIGHT

JIC MALE WITH 37° CONE X ORFS FEMALE SWIVEL NUT



Part Number	JIC Male Thread (A)	ORFS Female Thread (B)	Overall Length	L2 - mm	L3 - mm	Hex A/F (CH1)	Hex A/F (CH2)
G-T-0709	7/16-20	9/16-18	44.0	14.0	23.3	15.9	17.5
G-T-0909	9/16-18	9/16-18	48.0	14.1	25.5	15.9	22.2
G-T-0911	9/16-18	11/16-16	48.5	14.1	28.6	19.1	20.6
G-T-1211	3/4-16	11/16-16	51.5	16.7	27.0	22.2	25.4
G-T-1213	3/4-16	13/16-16	56.0	16.7	31.3	22.2	23.8
G-T-1413	7/8-14	13/16-16	58.6	19.3	31.3	25.0	27.0
G-T-1416	7/8-14	1-14	65.0	19.3	38.1	27.0	28.6
G-T-1716	1.1/16-12	1-14	63.4	21.9	32.5	30.0	32.0
G-T-1719	1.1/16-12	1.3/16-12	73.0	21.9	42.0	31.8	34.9
G-T-2119	1.5/16-12	1.3/16-12	71.7	23.1	38.1	37.8	37.1
G-T-2123	1.5/16-12	1.7/16-12	77.0	23.1	44.8	38.1	41.3
G-T-2623	1.5/8-12	1.7/16-12	76.3	24.2	40.8	47.5	46.8
G-T-2627	1.5/8-12	1.11/16-12	79.5	24.3	43.5	42.9	47.6

† - Please contact Hydraulink for further details and availability.

Pricing current as at 14 Feb 2017 and excludes GST. Hydraulink reserve the right to change pricing and technical specifications without notice.